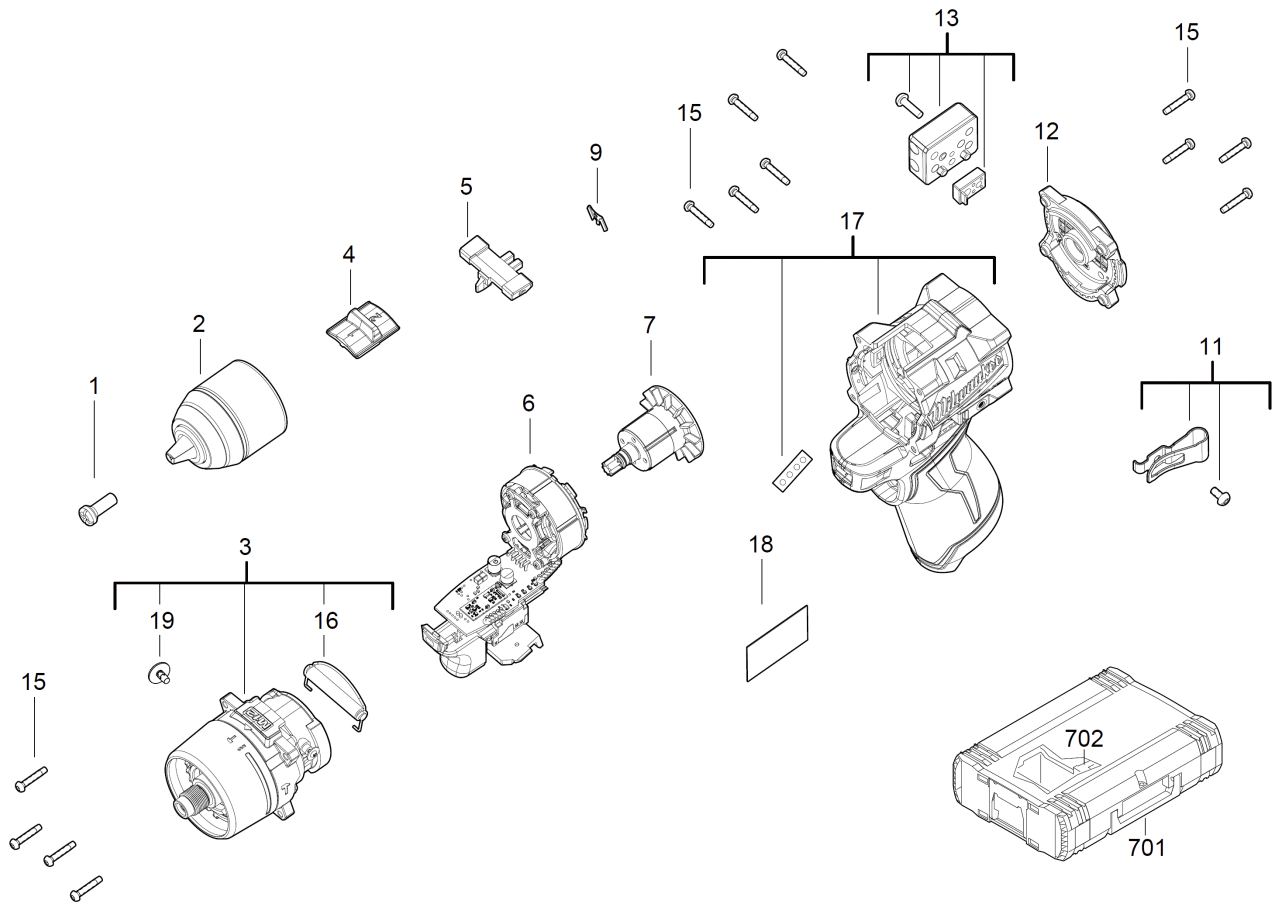


# **M12FPP2H2-402XEU FUEL POWER PACK IN2**

**4933492512 - M12FPP2H2-402XEU - 4000481337**



Position	Quantity	Description	Part number	EAN
0001	1	SCREW	4931465497	4058546235970
0002	1	CHUCK	4931494218	4058546467906
0003	1	GEAR BOX ASSY	4931494228	4058546468002
0004	1	SLIDER	4931494220	4058546467920
0005	1	SLIDER	4931494221	4058546467937
0006	1	ELECTRIC FIELD	4931494222	4058546467944
0007	1	MOTOR	4931494223	4058546467951
0009	1	CONNECTOR	4931436292	4002395252909
0011	1	BELT CLIP	4931494056	4058546429379
0012	1	CAP	4931494224	4058546467968
0013	1	BITHOLDER	4931494057	4058546429386
0015	13	SCREW	4931465499	4058546235994
0016	1	RACKING LEVER	4931465508	4058546236083
0017	1	HOUSING	4931494225	4058546467975
0018	1	RATING PLATE	4931494229	4058546468019
0019	2	SCREW	661262001	4002395839858
0701	1	HD Box 1 - 1pc	4932453385	4002395146376
0702	1	INSERT	4931494227	4058546467999